

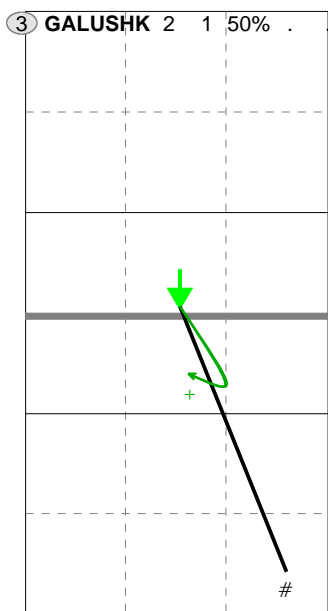
Analysis selection

AZERRBAIJAN Jun. 94 | 3 GALUSHKO V. | Attack

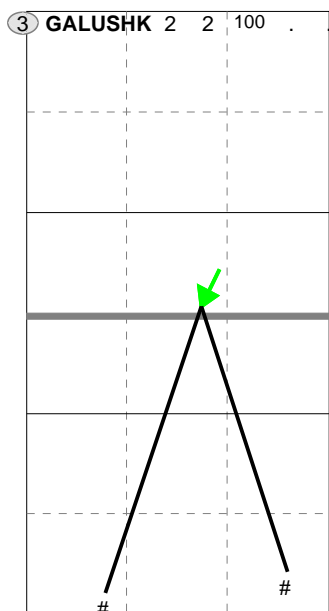
C1	Ind.	*E%	N	#	#%	=	/
	8	50%	2	1	50%	0	0

GG	Ind.	*E%	N	#	#%	=	/
	10	100	2	2	100	0	0

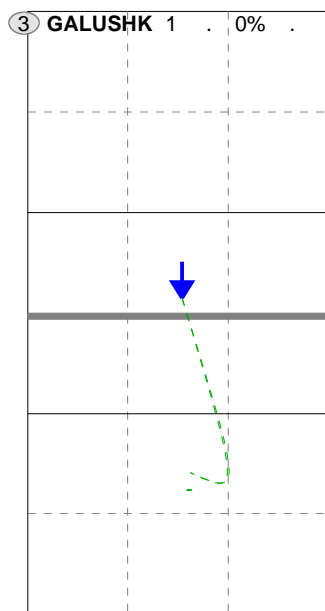
C5	Ind.	*E%	N	#	#%	=	/
	5	.	1	0	0%	0	0



H: 50%(1) P: (0) T: 50%(1)



H: 100%(2) P: (0) T: (0)



H: (0) P: (0) T: 100%(1)



Tip Soft