

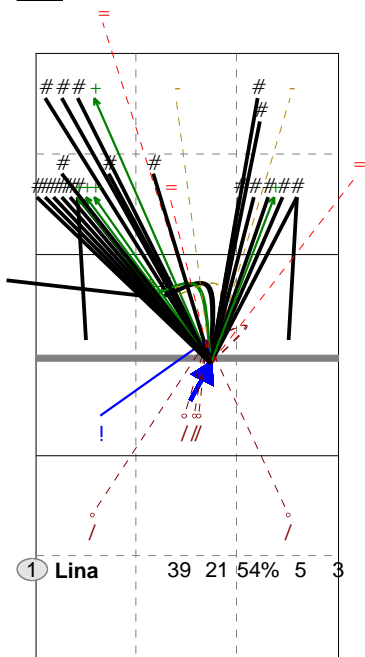
Analysis selection

Rusko Olympic Hopes | 1 Lina | Attack | (X1,CB,CF)

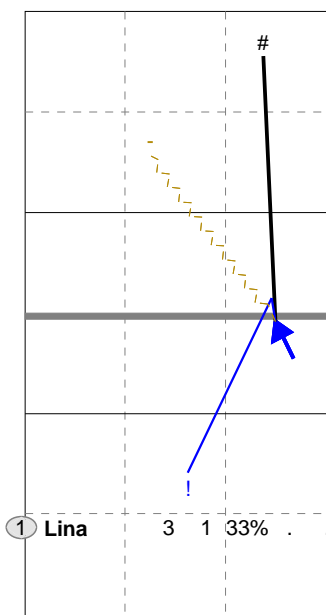
X1	Ind.	*E%	N	#	#%	=	/
	7	33%	39	21	54%	3	5

CF	Ind.	*E%	N	#	#%	=	/
	5	33%	3	1	33%	0	0

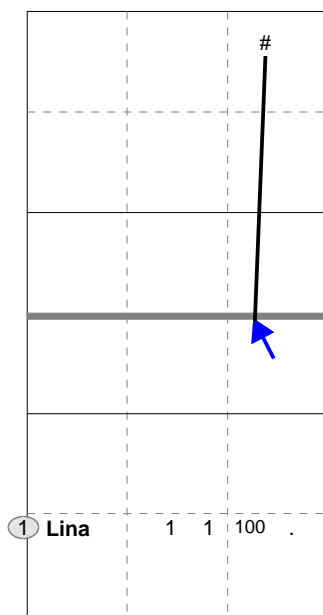
CB	Ind.	*E%	N	#	#%	=	/
	10	100%	1	1	100%	0	0



H: 90%(35) P: (0) T: 10%(4)



H: 67%(2) P: 33%(1) T: (0)

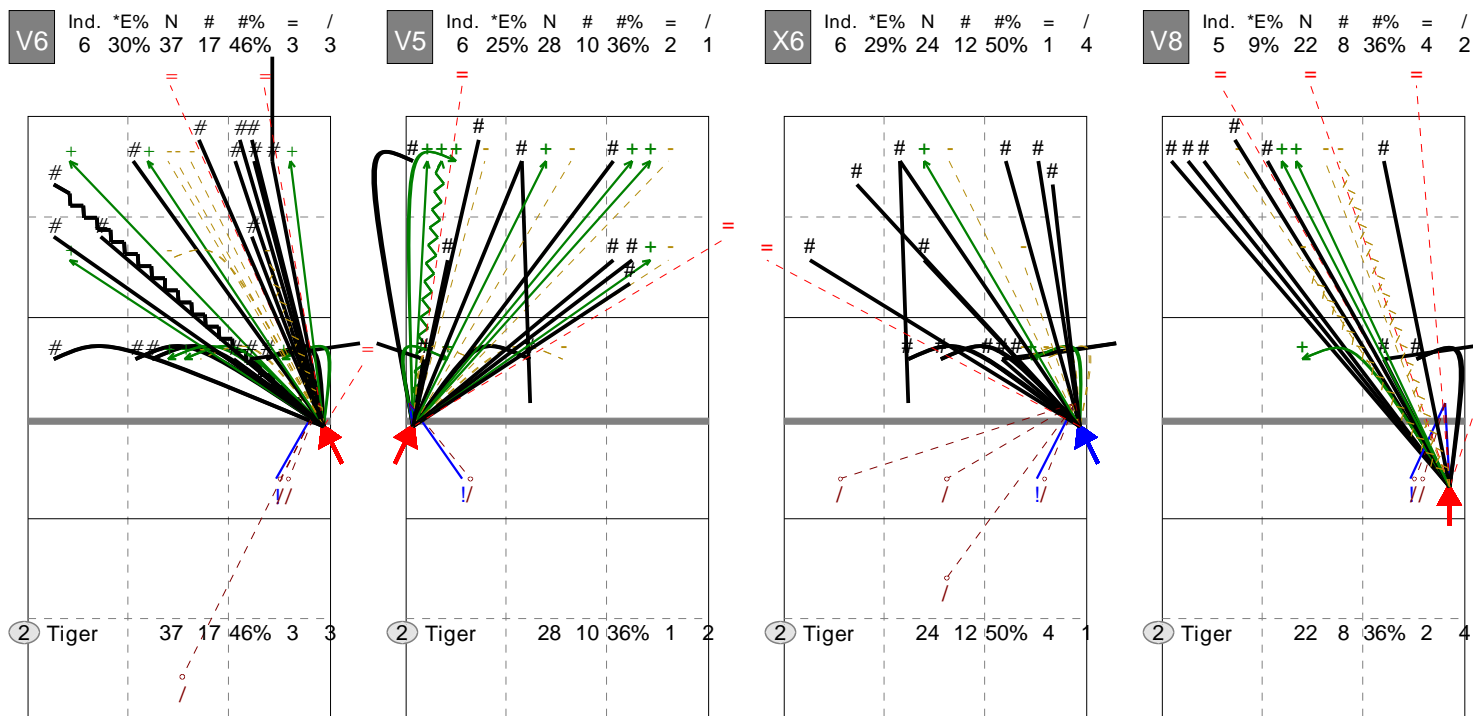


H: 100%(1) P: (0) T: (0)

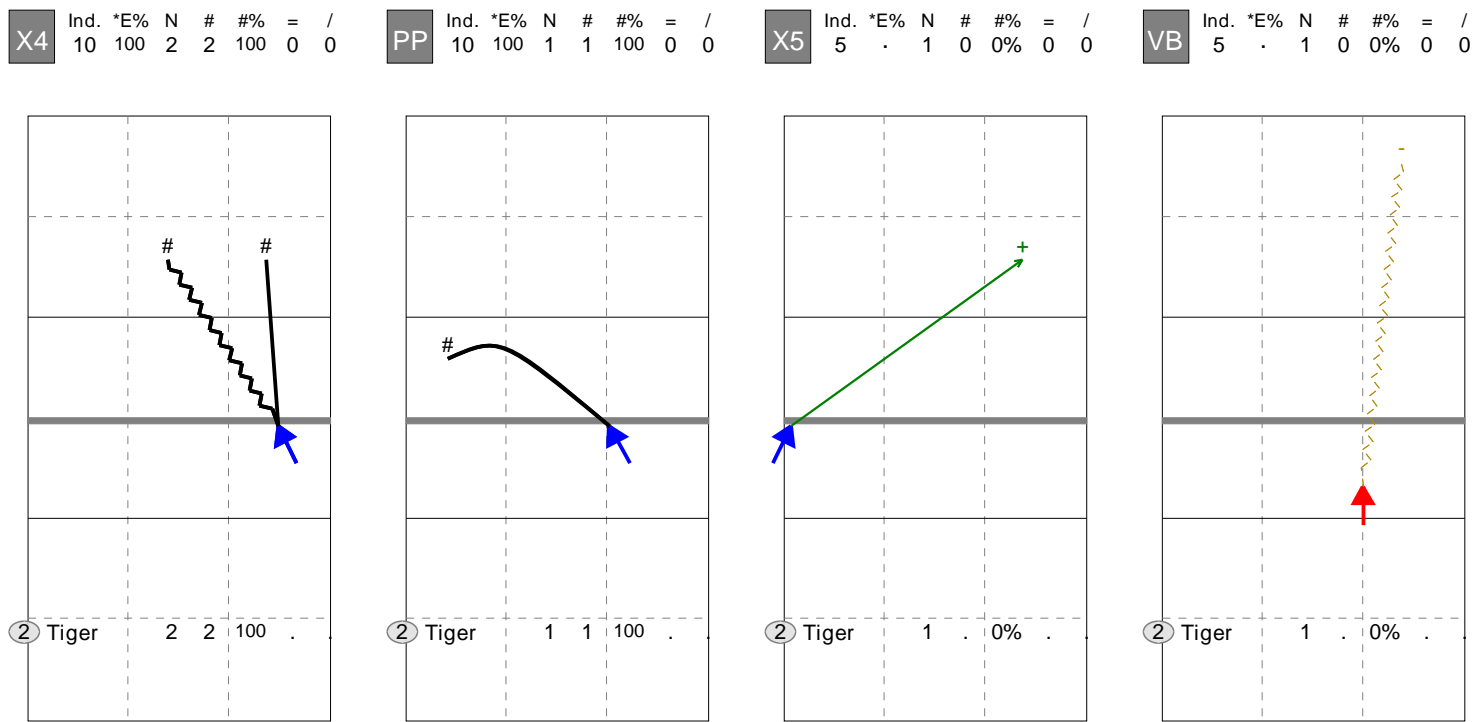


Analysis selection

Rusko Olympic Hopes | 2 Tiger | Attack



H: 70%(26) P: 5%(2) T: 24%(9) H: 75%(21) P: 4%(1) T: 21%(6) H: 79%(19) P: (0) T: 21%(5) H: 82%(18) P: 9%(2) T: 9%(2)



H: 50%(1) P: 50%(1) T: (0) H: (0) P: (0) T: 100%(1) H: 100%(1) P: (0) T: (0) H: (0) P: 100%(1) T: (0)



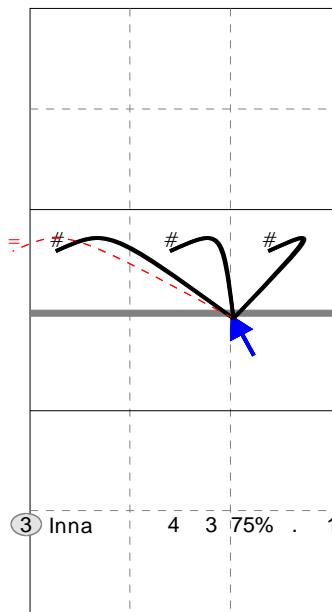
Selected match: (6) CZECH, HUN, BUL98, SVK, GER, BUL98

Analysis selection

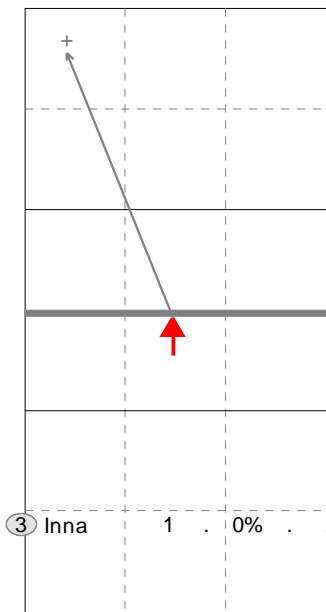
Rusko Olympic Hopes | 3 Inna | Attack

PP	Ind.	*E%	N	#	#%	=	/
	8	50%	4	3	75%	1	0

PR	Ind.	*E%	N	#	#%	=	/
	5	.	1	0	0%	0	0



H: (0) P: (0) T: 100%(4)

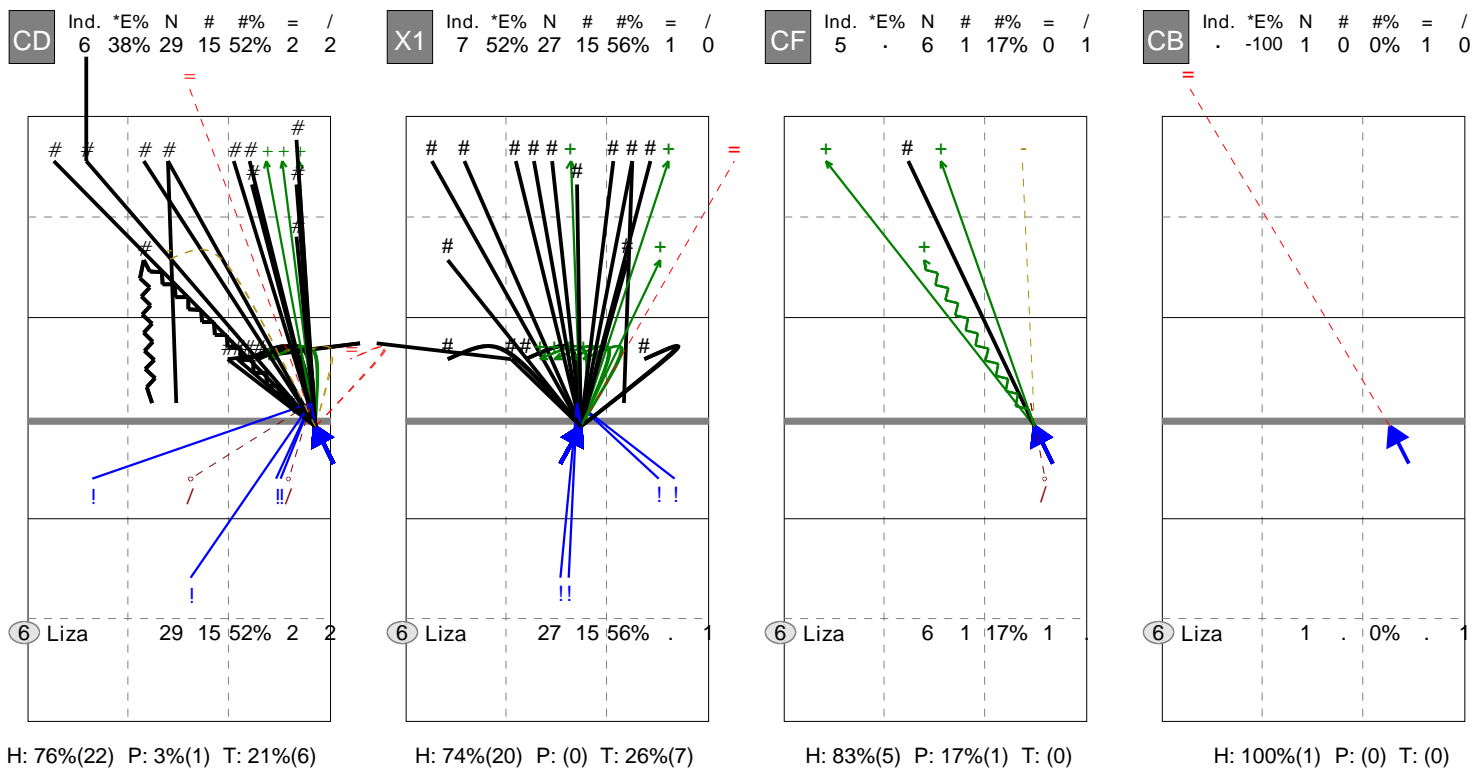


H: 100%(1) P: (0) T: (0)



Analysis selection

Rusko Olympic Hopes | 6 Liza | Attack | (X1,CB,CF,CD)



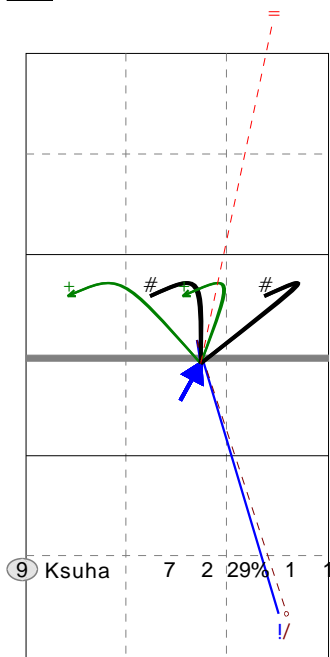
Selected match: (6) CZECH, HUN, BUL98, SVK, GER, BUL98

Analysis selection

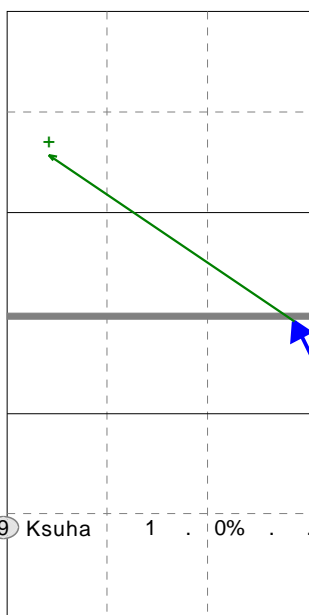
Rusko Olympic Hopes | 9 Ksuha | Attack

X1	Ind.	*E%	N	#	#%	=	/
	4	.	7	2	29%	1	1

CD	Ind.	*E%	N	#	#%	=	/
	5	.	1	0	0%	0	0



H: 43%(3) P: (0) T: 57%(4)



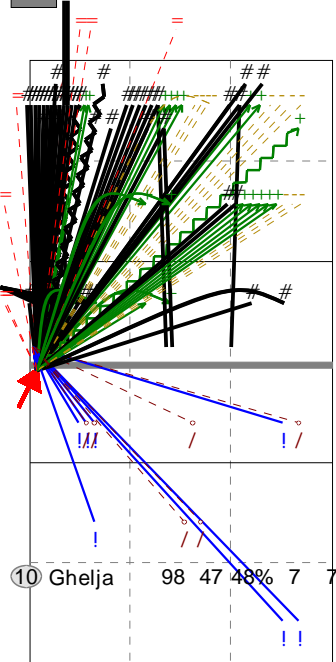
H: 100%(1) P: (0) T: (0)



Analysis selection

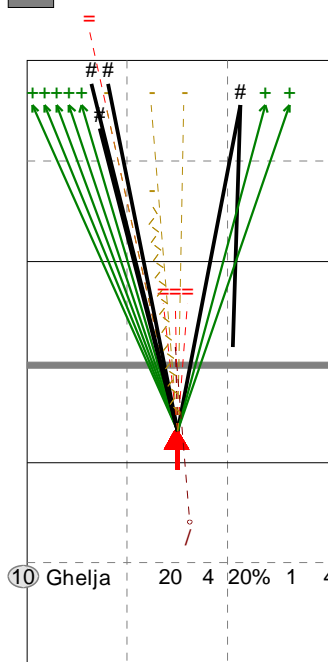
Rusko Olympic Hopes | 10 Ghelja | Attack

V5 Ind. *E% N # #% = /
6 34% 98 47 48% 7 7



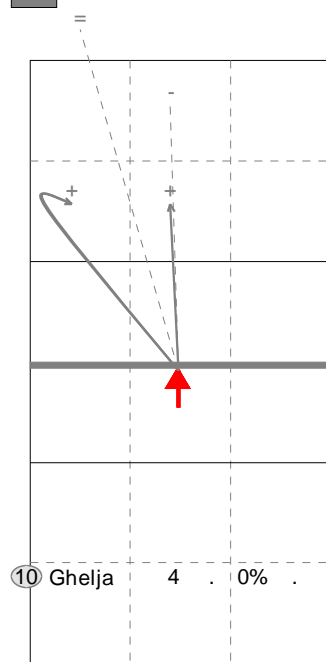
H: 90%(88) P: 3%(3) T: 7%(7)

VP Ind. *E% N # #% = /
5 -5% 20 4 20% 4 1



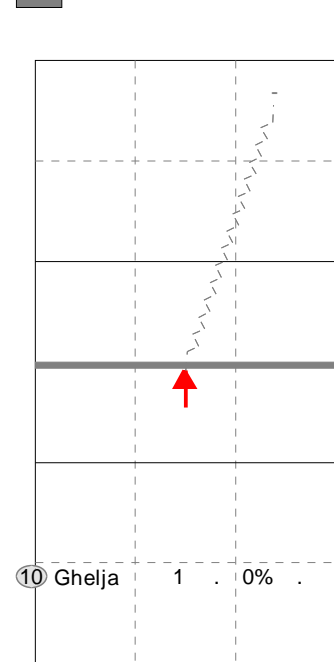
H: 95%(19) P: 5%(1) T: (0)

PR Ind. *E% N # #% = /
4 -25 4 0 0% 1 0



H: 75%(3) P: (0) T: 25%(1)

V3 Ind. *E% N # #% = /
5 . 1 0 0% 0 0



H: (0) P: 100%(1) T: (0)

10 Ghelja 98 47 48% 7 7

10 Ghelja 20 4 20% 1 4

10 Ghelja 4 . 0% . 1

10 Ghelja 1 . 0% .



Selected match: (6) CZECH, HUN, BUL98, SVK, GER, BUL98

Analysis selection

Rusko Olympic Hopes | 11 Vika | Attack | (V5,V6,VP)

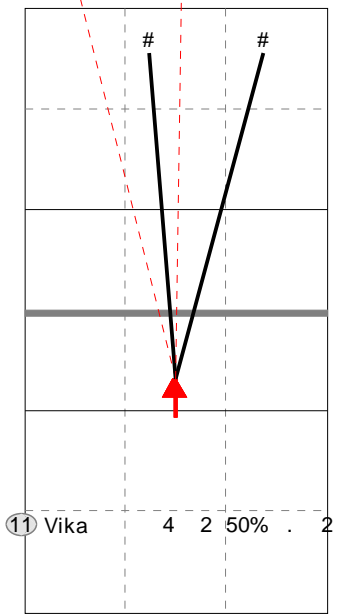
V5	Ind.	*E%	N	#	#%	=	/
	6	20%	10	4	40%	1	1

VP	Ind.	*E%	N	#	#%	=	/
	5	.	4	2	50%	2	0

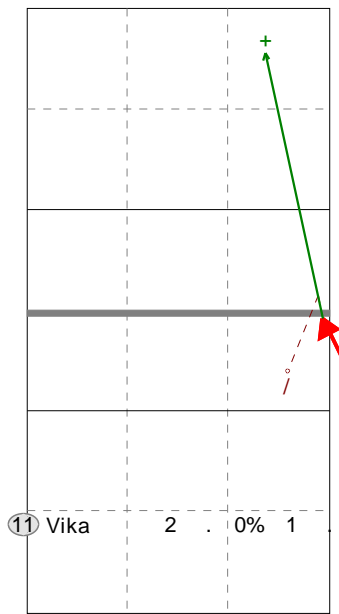
V6	Ind.	*E%	N	#	#%	=	/
	2	-50	2	0	0%	0	1



H: 90%(9) P: 10%(1) T: (0)



H: 100%(4) P: (0) T: (0)



H: 100%(2) P: (0) T: (0)



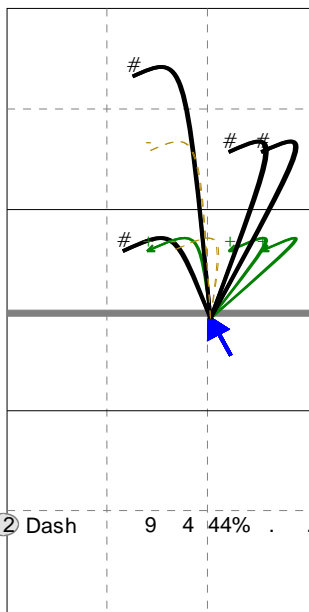
Selected match: (6) CZECH, HUN, BUL98, SVK, GER, BUL98

Analysis selection

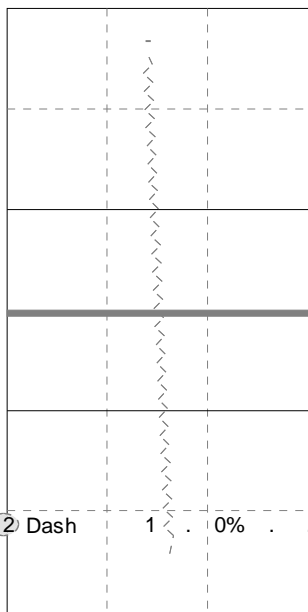
Rusko Olympic Hopes | 12 Dash | Attack

PP

Ind.	*E%	N	#	#%	=	/	Ind.	*E%	N	#	#%	=	/
7	44%	9	4	44%	0	0	5	.	1	0	0%	0	0



H: (0) P: (0) T: 100%(9)



H: (0) P: 100%(1) T: (0)



Selected match: (6) CZECH, HUN, BUL98, SVK, GER, BUL98

Analysis selection

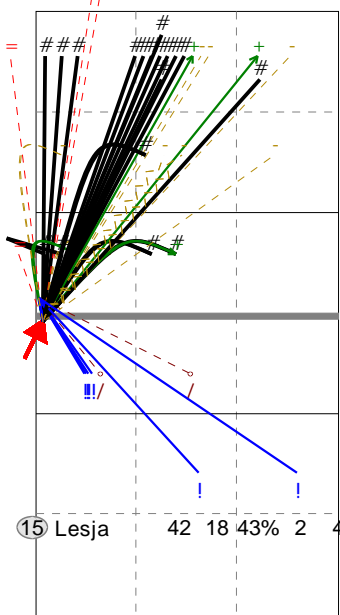
Rusko Olympic Hopes | 15 Lesja | Attack

V5 Ind. *E% N # #% = /
6 29% 42 18 43% 4 2

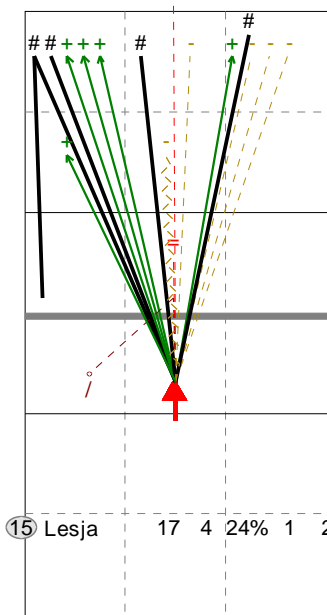
VP Ind. *E% N # #% = /
5 6% 17 4 24% 2 1

V6 Ind. *E% N # #% = /
5 14% 7 1 14% 0 0

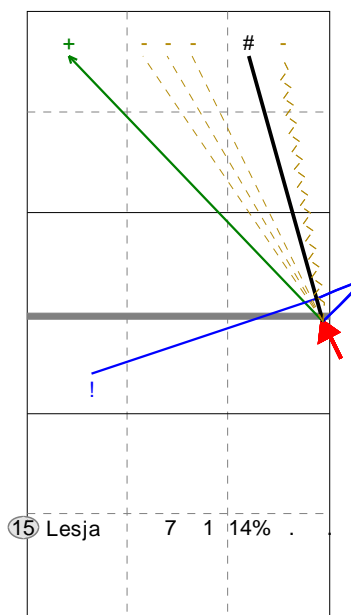
X6 Ind. *E% N # #% = /
2 -50 2 0 0% 1 0



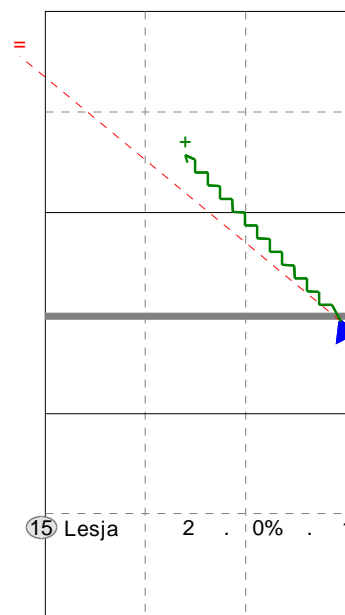
H: 79%(33) P: 5%(2) T: 17%(7)



H: 94%(16) P: 6%(1) T: (0)



H: 71%(5) P: 14%(1) T: 14%(1)

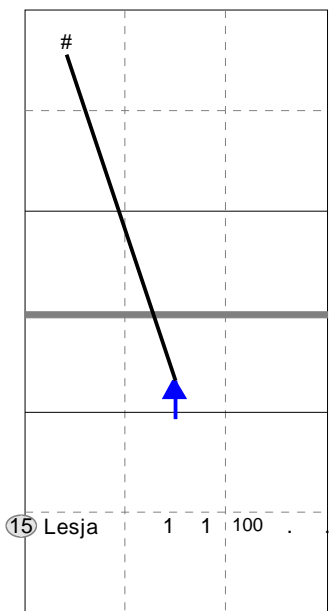


H: 50%(1) P: 50%(1) T: (0)

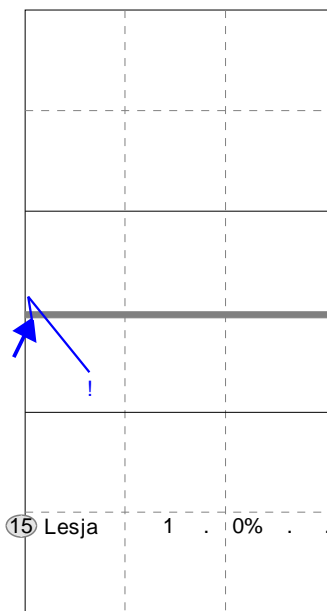
XP Ind. *E% N # #% = /
10 100 1 1 100 0 0

X5 Ind. *E% N # #% = /
. . 1 0 0% 0 0

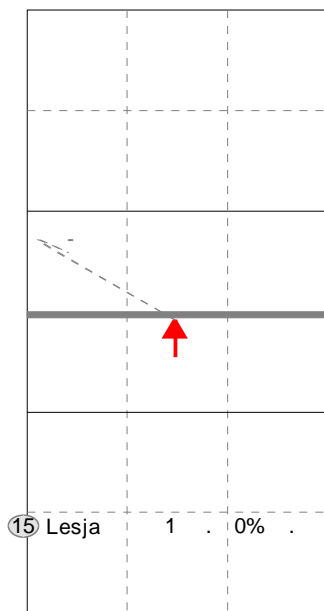
PR Ind. *E% N # #% = /
5 . 1 0 0% 0 0



H: 100%(1) P: (0) T: (0)



H: 100%(1) P: (0) T: (0)



H: (0) P: (0) T: 100%(1)

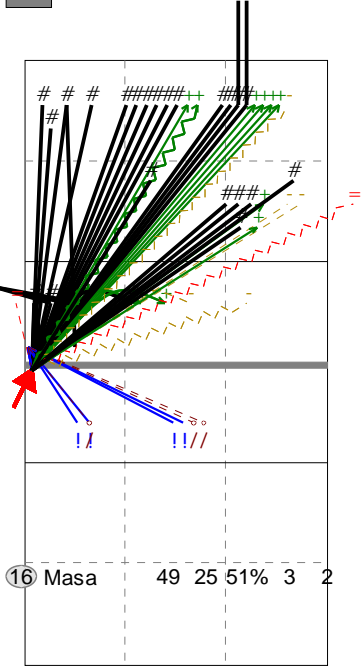


Selected match: (6) CZECH, HUN, BUL98, SVK, GER, BUL98

Analysis selection

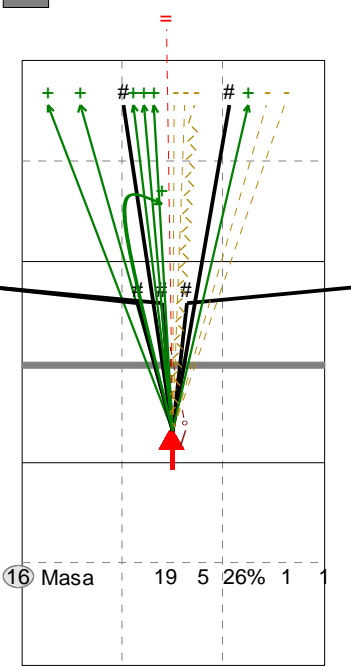
Rusko Olympic Hopes | 16 Masa | Attack

V5 Ind. *E% N # #% = /
7 41% 49 25 51% 2 3



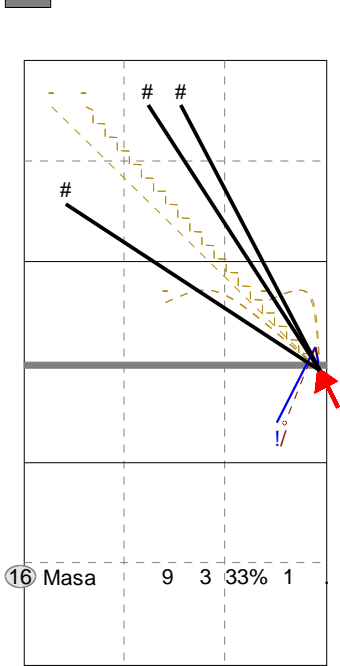
H: 84%(41) P: 8%(4) T: 8%(4)

VP Ind. *E% N # #% = /
6 16% 19 5 26% 1 1



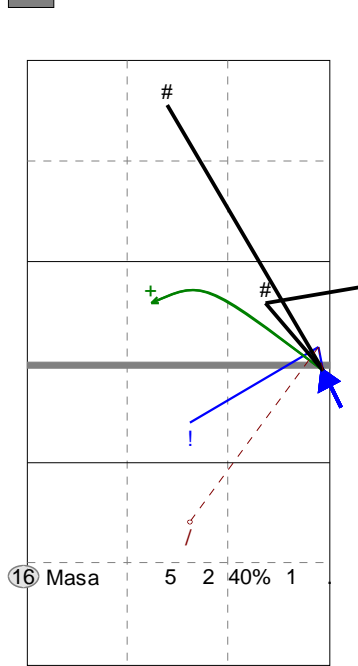
H: 89%(17) P: 5%(1) T: 5%(1)

V6 Ind. *E% N # #% = /
6 22% 9 3 33% 0 1



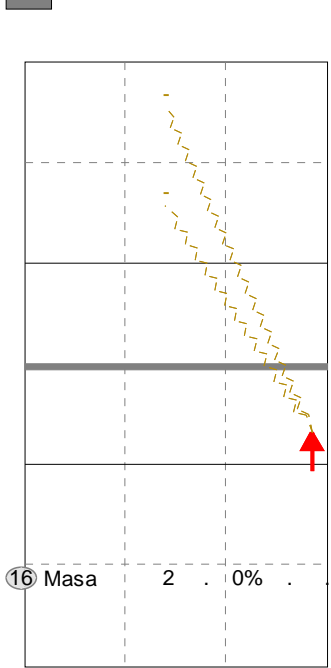
H: 67%(6) P: 11%(1) T: 22%(2)

X6 Ind. *E% N # #% = /
5 20% 5 2 40% 0 1



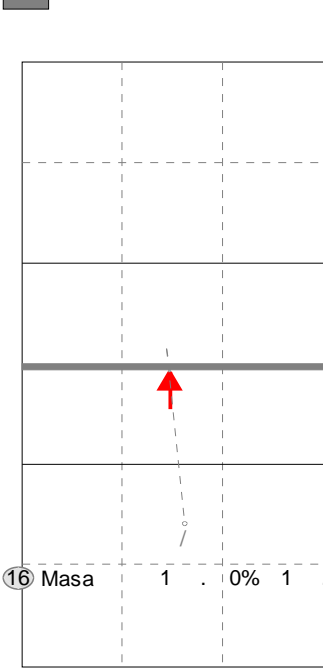
H: 80%(4) P: (0) T: 20%(1)

V8 Ind. *E% N # #% = /
5 . 2 0 0% 0 0



H: (0) P: 100%(2) T: (0)

PR Ind. *E% N # #% = /
. -100 1 0 0% 0 1



H: 100%(1) P: (0) T: (0)

