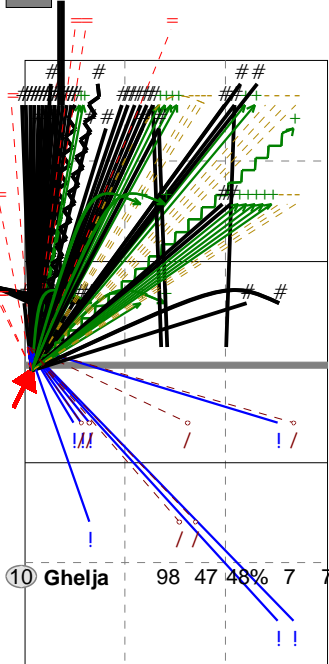


Selected match: (6) CZECH, HUN, BUL98, SVK, GER, BUL98

Analysis selection

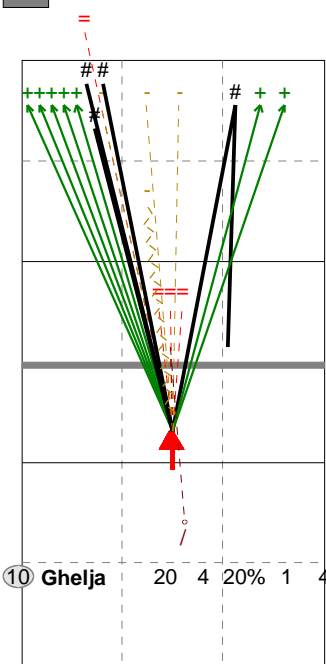
Rusko Olympic Hopes | 10 Ghelja | Attack

V5 Ind. *E% N # #% = /
6 34% 98 47 48% 7 7



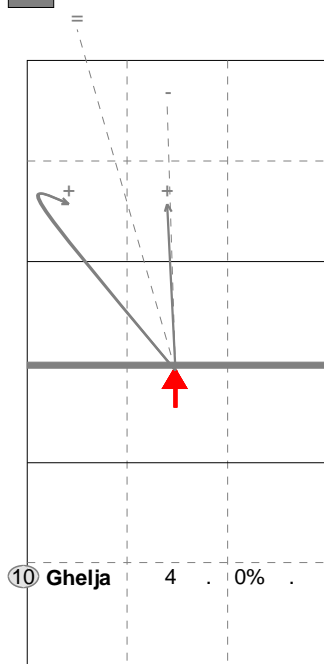
H: 90%(88) P: 3%(3) T: 7%(7)

VP Ind. *E% N # #% = /
5 -5% 20 4 20% 4 1



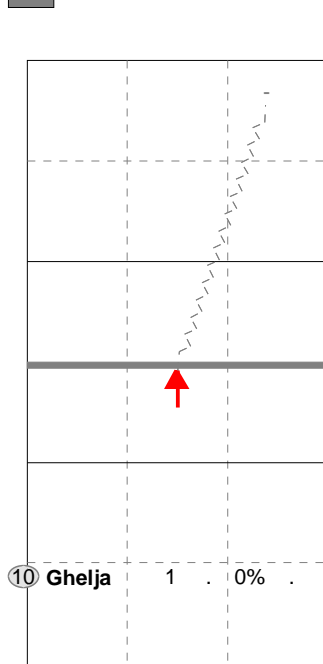
H: 95%(19) P: 5%(1) T: (0)

PR Ind. *E% N # #% = /
4 -25 4 0 0% 1 0



H: 75%(3) P: (0) T: 25%(1)

V3 Ind. *E% N # #% = /
5 . 1 0 0% 0 0



H: (0) P: 100%(1) T: (0)

Legend: = (red circle), / (red circle), (white circle), (yellow triangle), (blue triangle), (green triangle), # (black square), Tip (wavy line), Soft (zigzag line)