

Analysis selection

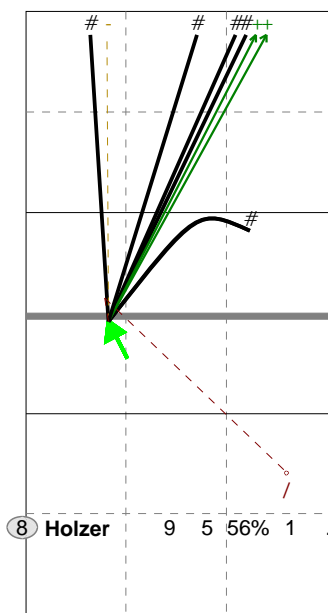
Austria96 | 8 Holzer | Attack

X7 Ind. *E% N # #% = /
7 44% 9 5 56% 0 1

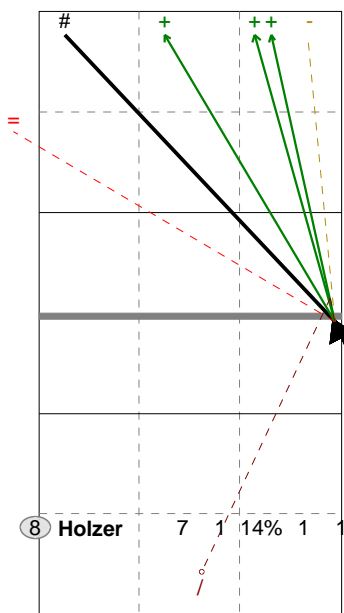
X6 Ind. *E% N # #% = /
4 -14 7 1 14% 1 1

X4 Ind. *E% N # #% = /
5 . 4 0 0% 0 0

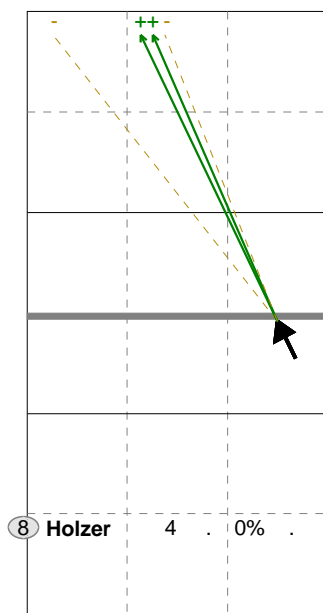
V6 Ind. *E% N # #% = /
4 . 4 0 0% 0 0



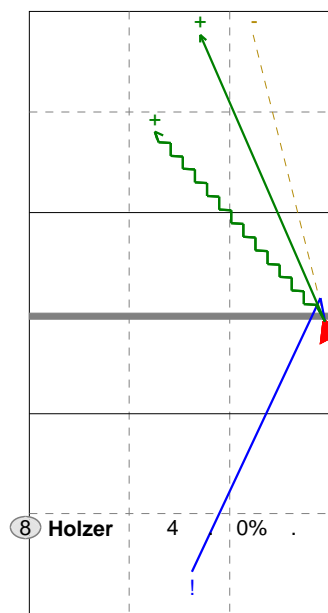
H: 89%(8) P: (0) T: 11%(1)



H: 100%(7) P: (0) T: (0)



H: 100%(4) P: (0) T: (0)

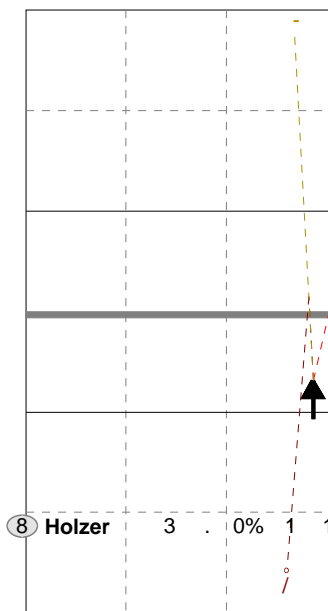


H: 75%(3) P: 25%(1) T: (0)

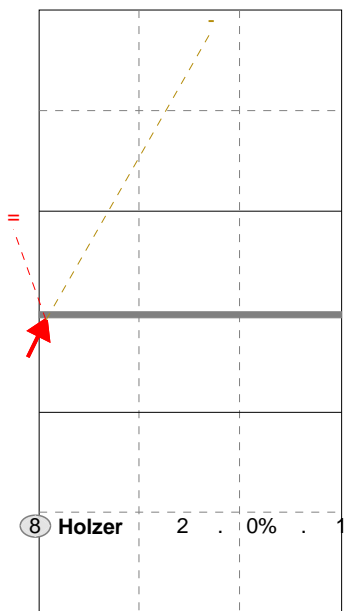
X8 Ind. *E% N # #% = /
2 -67 3 0 0% 1 1

V5 Ind. *E% N # #% = /
2 -50 2 0 0% 1 0

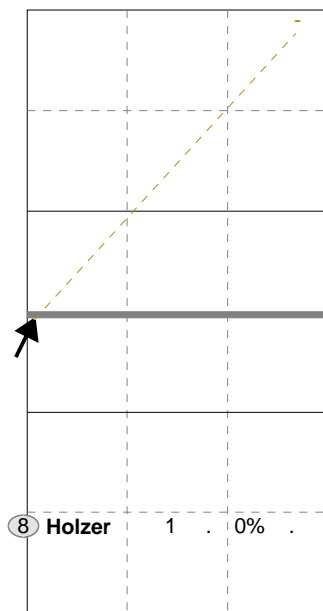
X5 Ind. *E% N # #% = /
5 . 1 0 0% 0 0



H: 100%(3) P: (0) T: (0)



H: 100%(2) P: (0) T: (0)



H: 100%(1) P: (0) T: (0)



Tip Soft