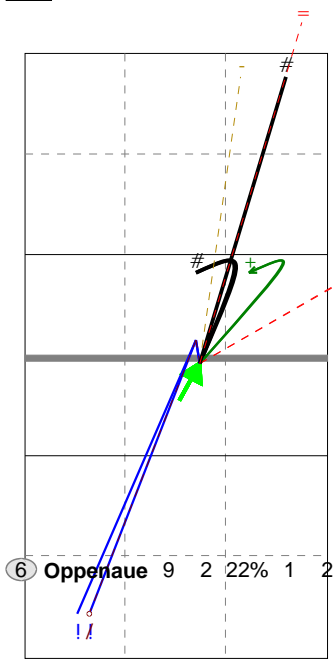


Analysis selection

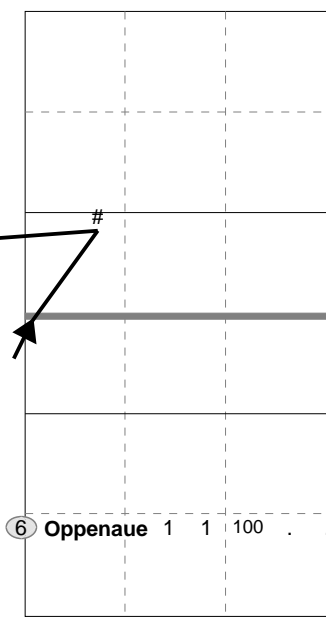
Austria96 | 6 Oppenauer | Attack

X1	Ind.	*E%	N	#	#%	=	/
	3	-11	9	2	22%	2	1

X5	Ind.	*E%	N	#	#%	=	/
	10	100	1	1	100	0	0



H: 67%(6) P: (0) T: 33%(3)



H: 100%(1) P: (0) T: (0)

