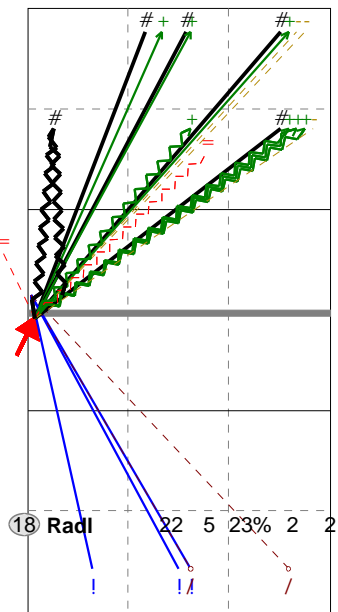


Analysis selection

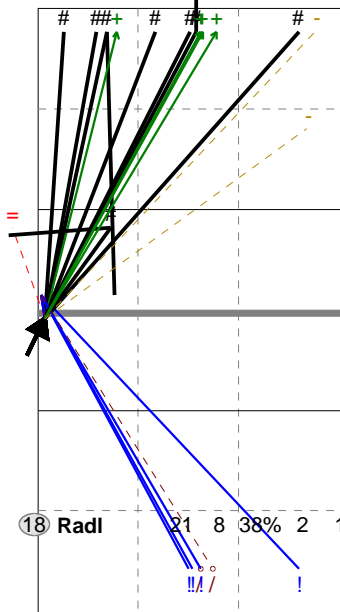
Austria96 | 18 Radl | Attack

V5 Ind. *E% N # #% = /
5 5% 22 5 23% 2 2



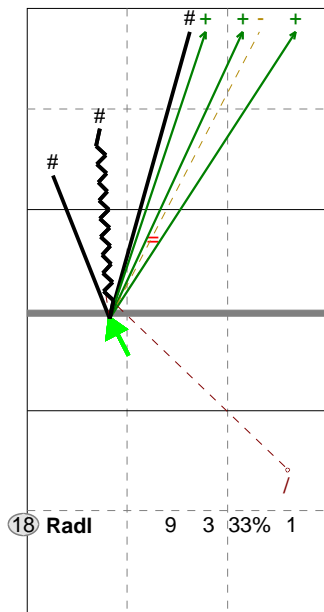
H: 73%(16) P: 27%(6) T: (0)

X5 Ind. *E% N # #% = /
5 24% 21 8 38% 1 2



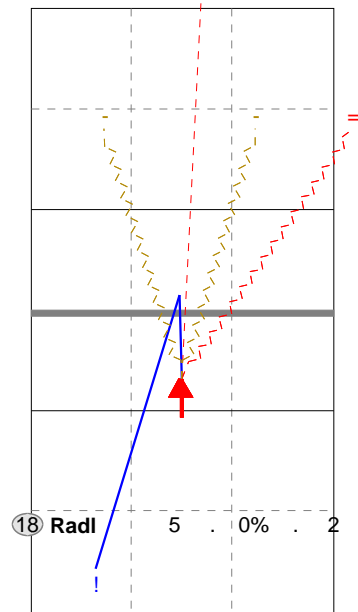
H: 100%(21) P: (0) T: (0)

X7 Ind. *E% N # #% = /
6 11% 9 3 33% 1 1



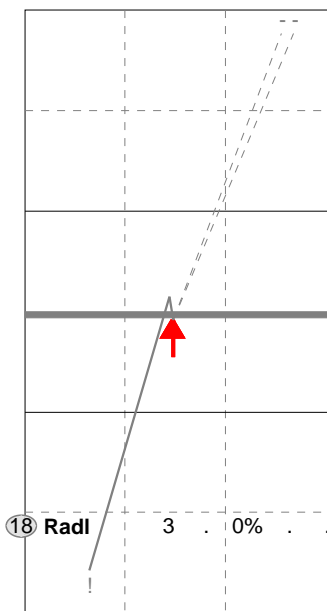
H: 89%(8) P: 11%(1) T: (0)

VP Ind. *E% N # #% = /
2 -40 5 0 0% 2 0



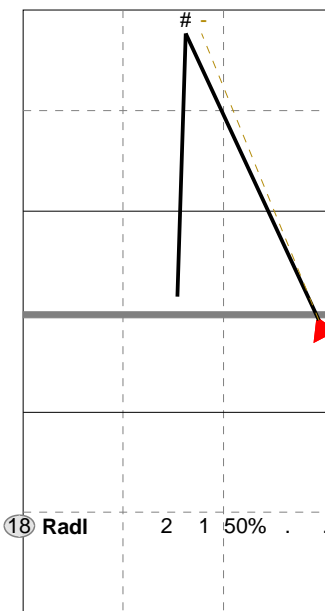
H: 40%(2) P: 60%(3) T: (0)

PR Ind. *E% N # #% = /
3 . 3 0 0% 0 0



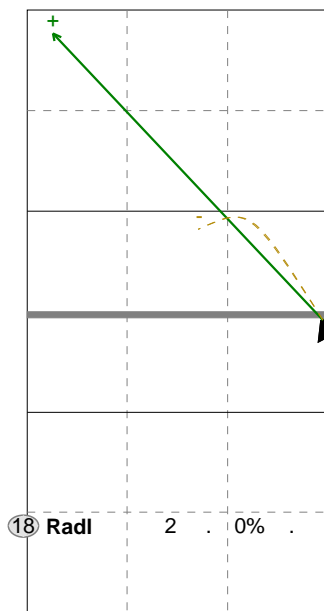
H: 100%(3) P: (0) T: (0)

V6 Ind. *E% N # #% = /
8 50% 2 1 50% 0 0



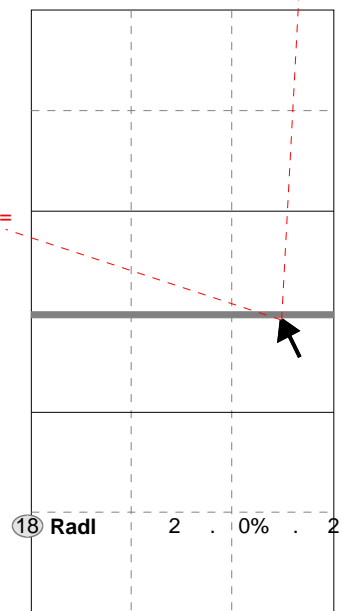
H: 100%(2) P: (0) T: (0)

X6 Ind. *E% N # #% = /
5 . 2 0 0% 0 0



H: 50%(1) P: (0) T: 50%(1)

X4 Ind. *E% N # #% = /
. -100 2 0 0% 2 0

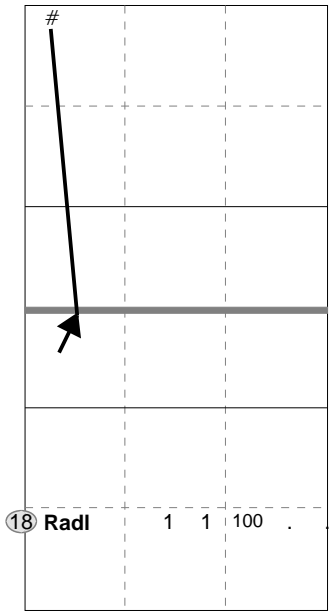


H: 100%(2) P: (0) T: (0)

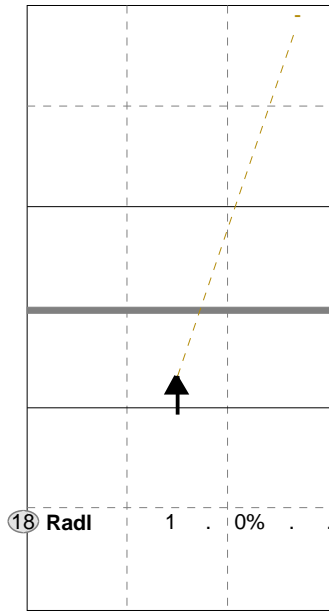


X9 Ind. *E% N # #% = /
 10 100 1 1 100 0 0

XP Ind. *E% N # #% = /
 5 . 1 0 0% 0 0

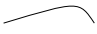


H: 100%(1) P: (0) T: (0)



H: 100%(1) P: (0) T: (0)



Tip  Soft 