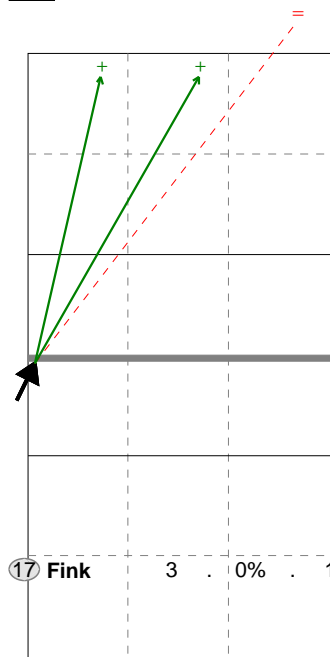


Analysis selection

Austria96 | 17 Fink | Attack

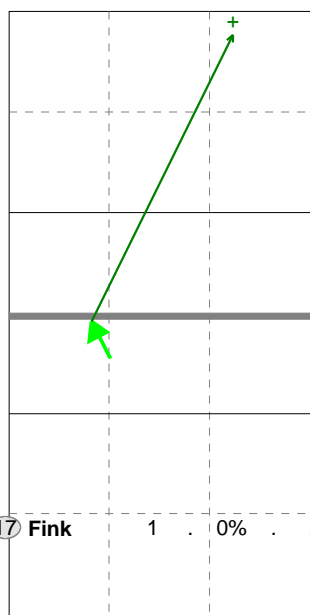
X5	Ind.	*E%	N	#	#%	=	/
	3	-33	3	0	0%	1	0



17 Fink 3 . 0% . 1

H: 100%(3) P: (0) T: (0)

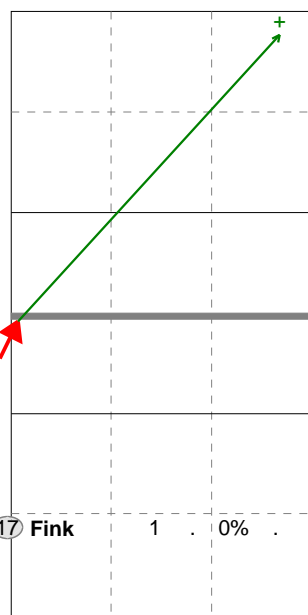
X7	Ind.	*E%	N	#	#%	=	/
	5	.	1	0	0%	0	0



17 Fink 1 . 0% .

H: 100%(1) P: (0) T: (0)

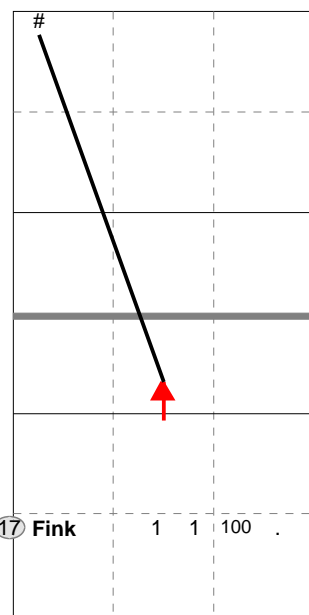
V5	Ind.	*E%	N	#	#%	=	/
	5	.	1	0	0%	0	0



17 Fink 1 . 0% .

H: 100%(1) P: (0) T: (0)

VP	Ind.	*E%	N	#	#%	=	/
	10	100	1	1	100	0	0



17 Fink 1 1 100 .

H: 100%(1) P: (0) T: (0)

