

**Selected match: (3) POL, LIT, ISR**

**Analysis selection**

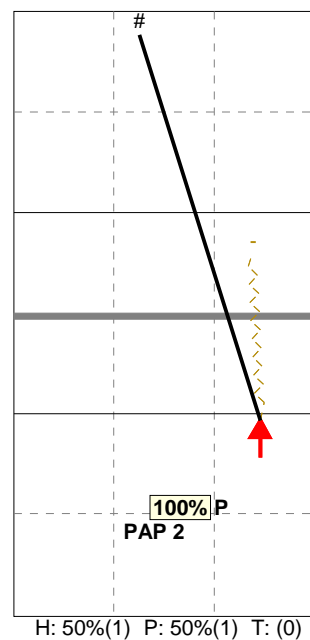
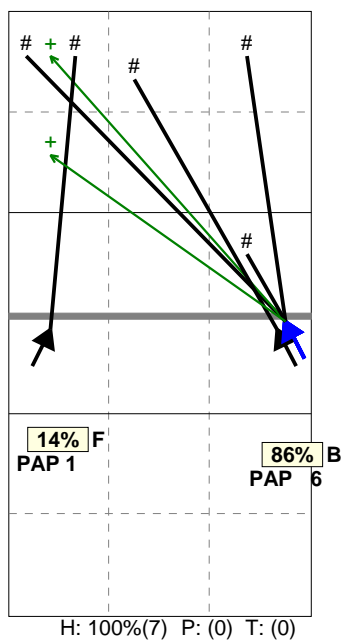
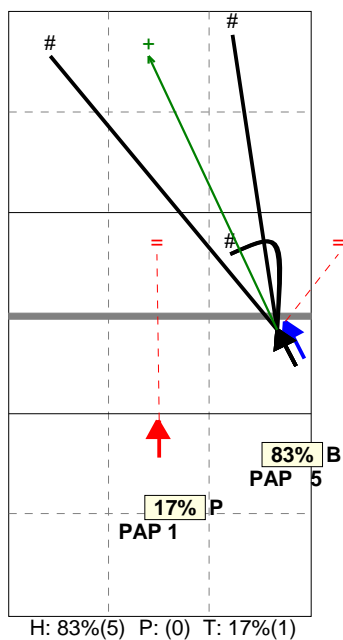
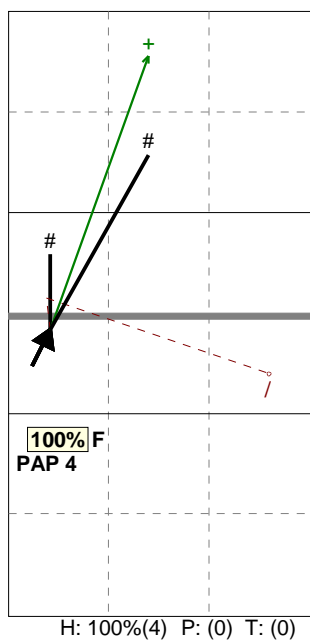
HUNGARY | 11 PAPP DORA | Attack | Rotation detail

S1	Ind.	*E%	N	#	##	=	/
	6	25%	4	2	50%	0	1

S6	Ind.	*E%	N	#	##	=	/
	6	17%	6	3	50%	2	0

S5	Ind.	*E%	N	#	##	=	/
	9	71%	7	5	71%	0	0

S4	Ind.	*E%	N	#	##	=	/
	8	50%	2	1	50%	0	0



S3	Ind.	*E%	N	#	##	=	/
	10	100%	1	1	100%	0	0

S2	Ind.	*E%	N	#	##	=	/
	5	.	1	0	0%	0	0

