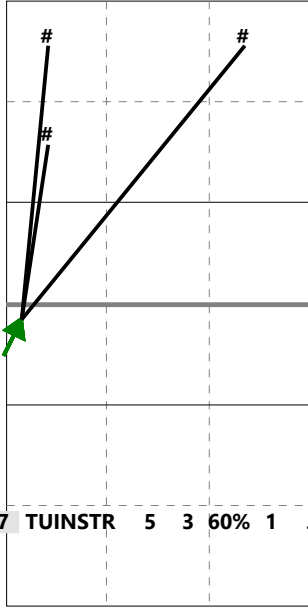


Total Direction Chart analysis - 12UtokD

(2) BEL20, BEL20

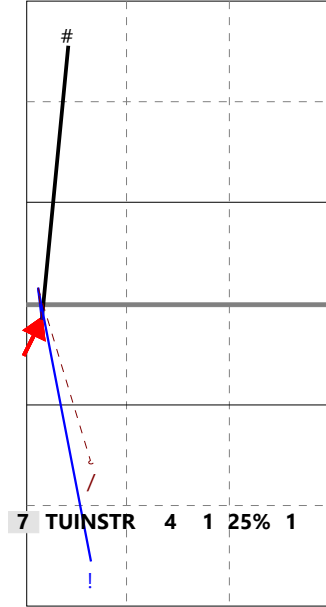
Netherlands | 7 TUINSTR A. | Transition

X5 Ind *E% N # #% = /
6 40% 5 3 60% 0 1



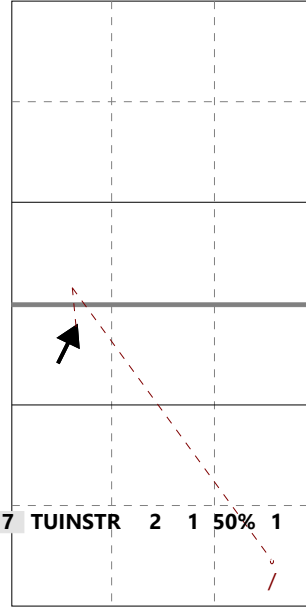
H: 60%(3) P: (0) T: 40%(2)

V5 Ind *E% N # #% = /
2 . 4 1 25% 0 1



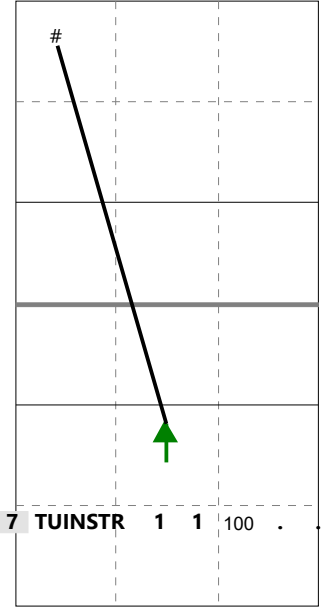
H: 75%(3) P: 25%(1) T: (0)

V9 Ind *E% N # #% = /
5 . 2 1 50% 0 1



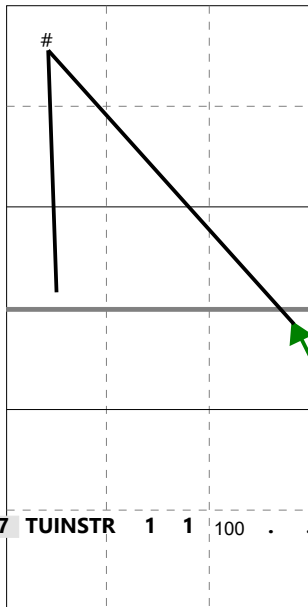
H: 50%(1) P: 50%(1) T: (0)

XP Ind *E% N # #% = /
10 100 1 1 100 0 0



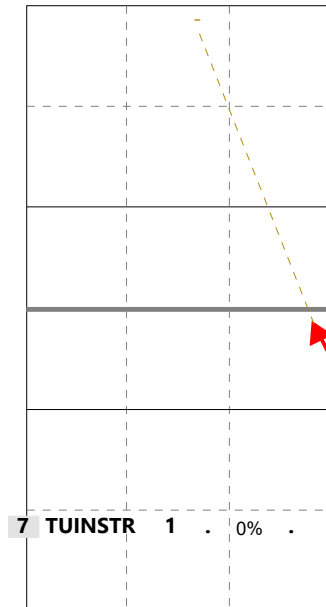
H: 100%(1) P: (0) T: (0)

X6 Ind *E% N # #% = /
10 100 1 1 100 0 0



H: 100%(1) P: (0) T: (0)

V6 Ind *E% N # #% = /
5 . 1 0 0% 0 0



H: 100%(1) P: (0) T: (0)



Tip Soft