

Selected match: (2) CZE, CZE

Analysis selection

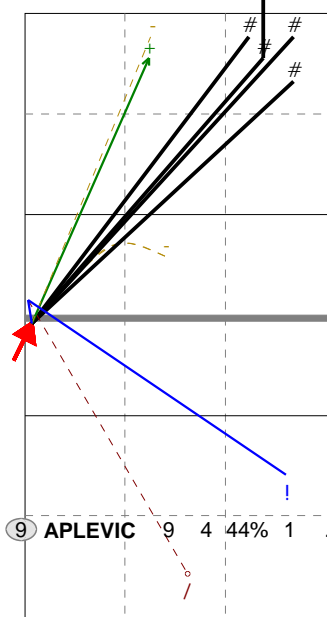
BELARUS 2014 | 9 APLEVICH | Attack

V5	Ind.	*E%	N	#	#%	=	/
	6	33%	9	4	44%	0	1

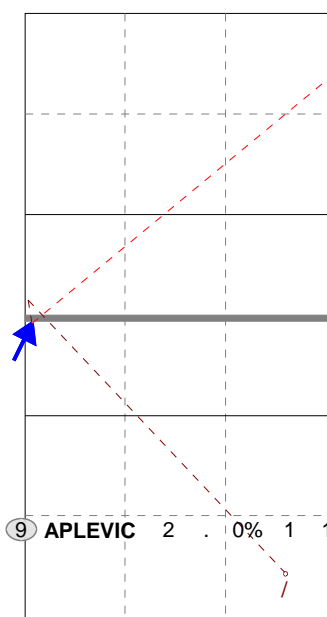
X5	Ind.	*E%	N	#	#%	=	/
	.	-100	2	0	0%	1	1

XP	Ind.	*E%	N	#	#%	=	/
	.	-100	1	0	0%	1	0

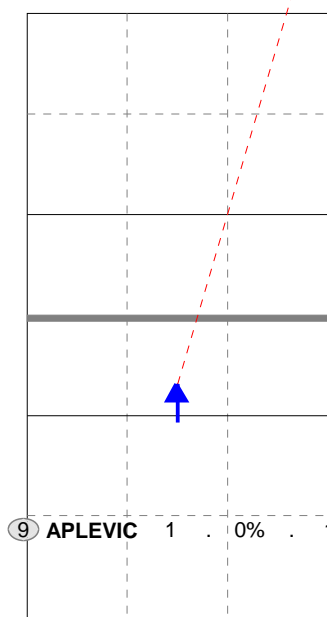
PR	Ind.	*E%	N	#	#%	=	/
	10	100	1	1	100	0	0



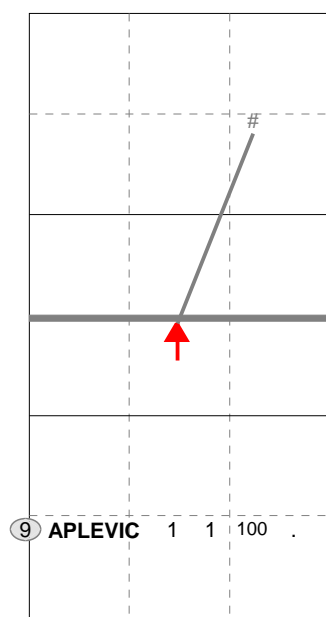
H: 89%(8) P: (0) T: 11%(1)



H: 100%(2) P: (0) T: (0)



H: 100%(1) P: (0) T: (0)



H: 100%(1) P: (0) T: (0)



Tip Soft