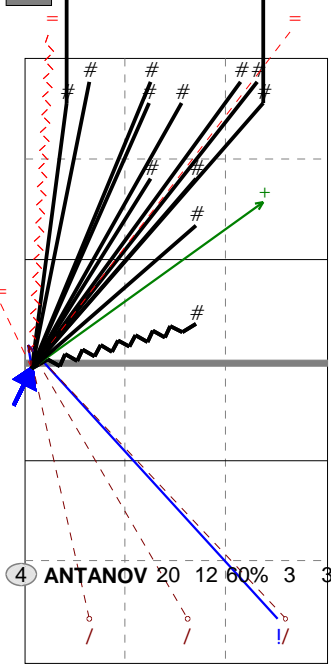


Selected match: (2) CZE, CZE

Analysis selection

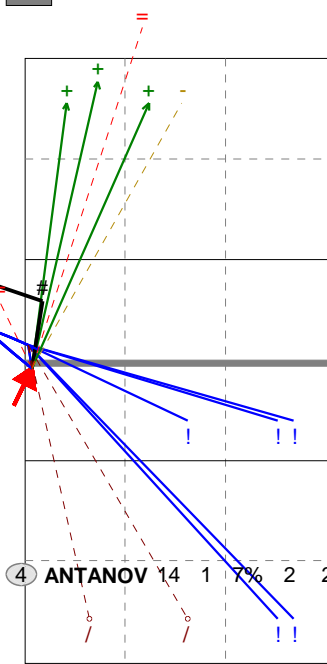
BELARUS 2014 | 4 ANTANOVICH | Attack

**X5** Ind. \*E% N # #% = /  
6 30% 20 12 60% 3 3



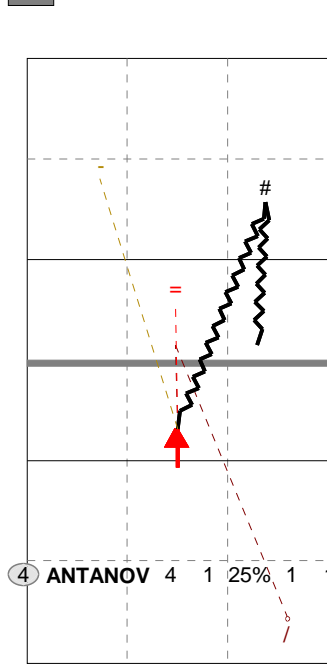
H: 90%(18) P: 10%(2) T: (0)

**V5** Ind. \*E% N # #% = /  
2 -21 14 1 7% 2 2



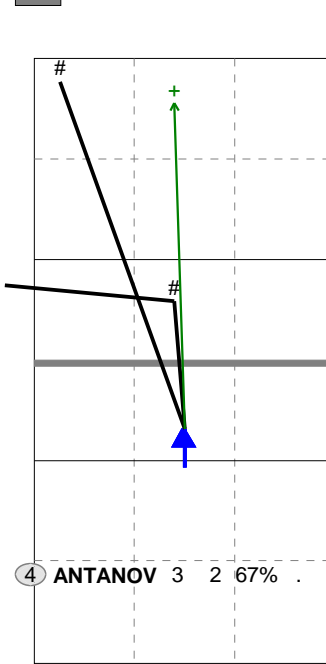
H: 79%(11) P: (0) T: 21%(3)

**VP** Ind. \*E% N # #% = /  
4 -25 4 1 25% 1 1



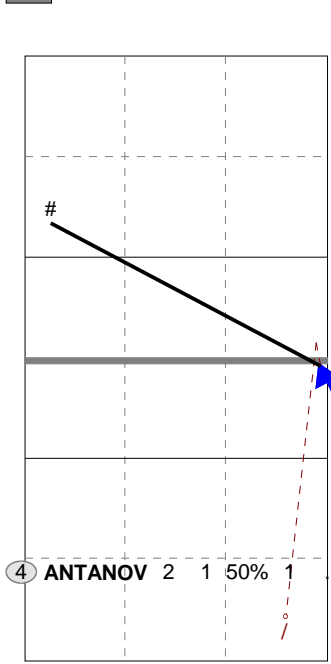
H: 75%(3) P: 25%(1) T: (0)

**XP** Ind. \*E% N # #% = /  
8 67% 3 2 67% 0 0



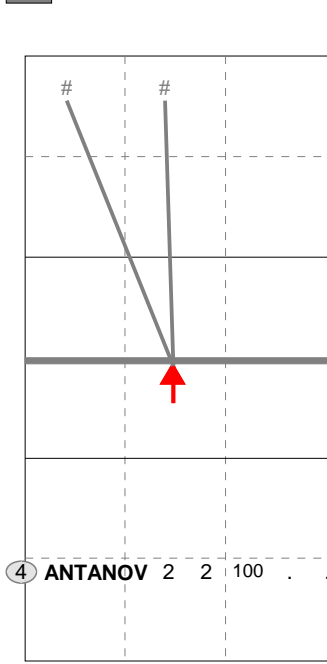
H: 100%(3) P: (0) T: (0)

**X6** Ind. \*E% N # #% = /  
5 . 2 1 50% 0 1



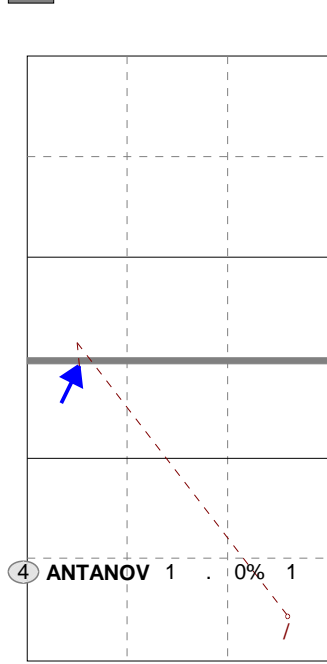
H: 100%(2) P: (0) T: (0)

**PR** Ind. \*E% N # #% = /  
10 100 2 2 100 0 0



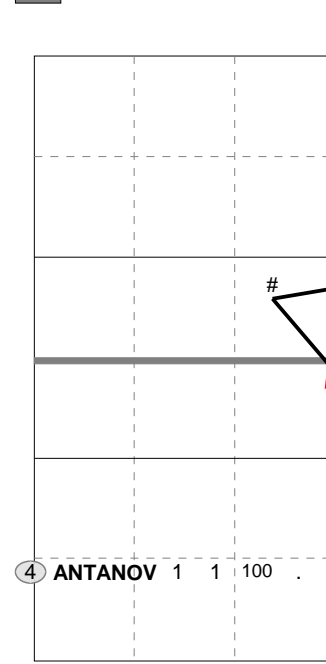
H: 100%(2) P: (0) T: (0)

**X9** Ind. \*E% N # #% = /  
. -100 1 0 0% 0 1



H: 100%(1) P: (0) T: (0)

**V6** Ind. \*E% N # #% = /  
10 100 1 1 100 0 0



H: 100%(1) P: (0) T: (0)



Tip Soft