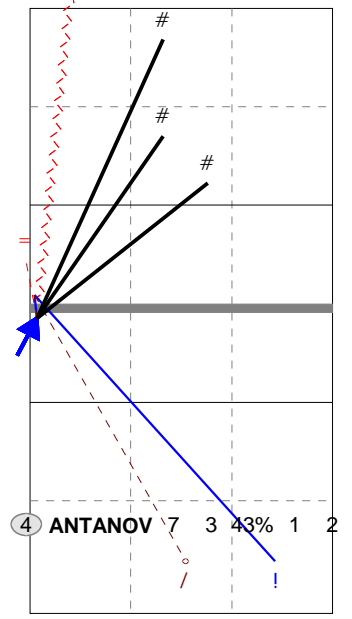


BELARUS 2014	3	25	23	25	29	18	120	05/09/20	Friendly Match	Dohravky
Czech Republic	2	21	25	21	31	16	114	18.00.00		Home

Analysis selection

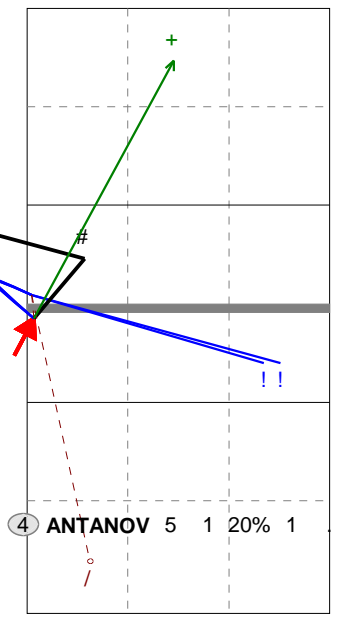
BELARUS 2014 | 4 ANTANOVICH | Attack

X5	Ind.	*E%	N	#	#%	=	/
	4	.	7	3	43%	2	1



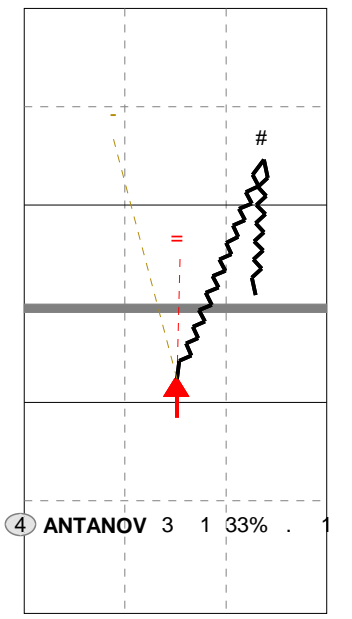
H: 86%(6) P: 14%(1) T: (0)

V5	Ind.	*E%	N	#	#%	=	/
	3	.	5	1	20%	0	1



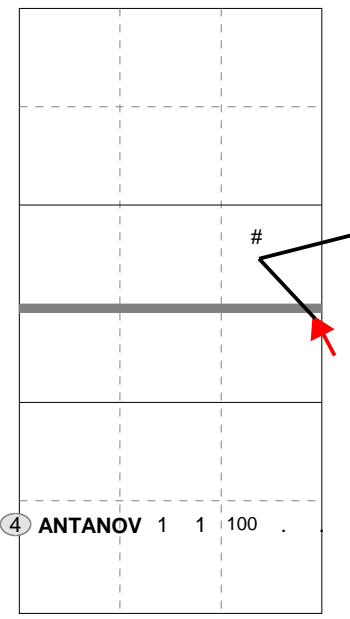
H: 60%(3) P: (0) T: 40%(2)

VP	Ind.	*E%	N	#	#%	=	/
	5	.	3	1	33%	1	0



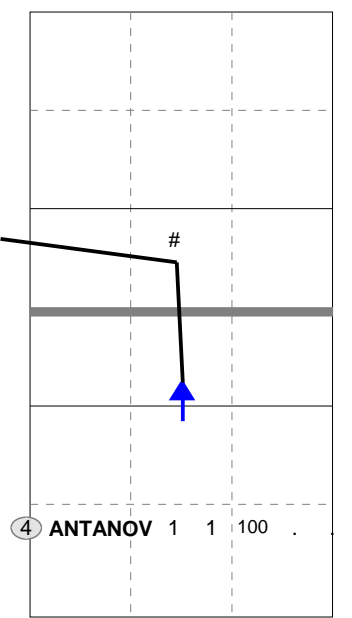
H: 67%(2) P: 33%(1) T: (0)

V6	Ind.	*E%	N	#	#%	=	/
	10	100	1	1	100	0	0



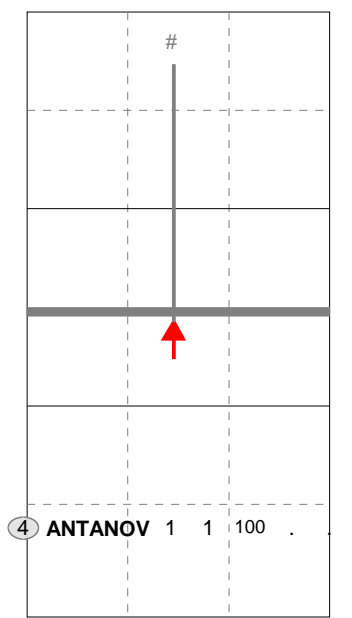
H: 100%(1) P: (0) T: (0)

XP	Ind.	*E%	N	#	#%	=	/
	10	100	1	1	100	0	0



H: 100%(1) P: (0) T: (0)

PR	Ind.	*E%	N	#	#%	=	/
	10	100	1	1	100	0	0



H: 100%(1) P: (0) T: (0)

Legend: = (red circle), / (red circle), (white circle), (yellow triangle), (blue triangle), (green triangle), (black square with #), Tip (wavy line), Soft (zigzag line)